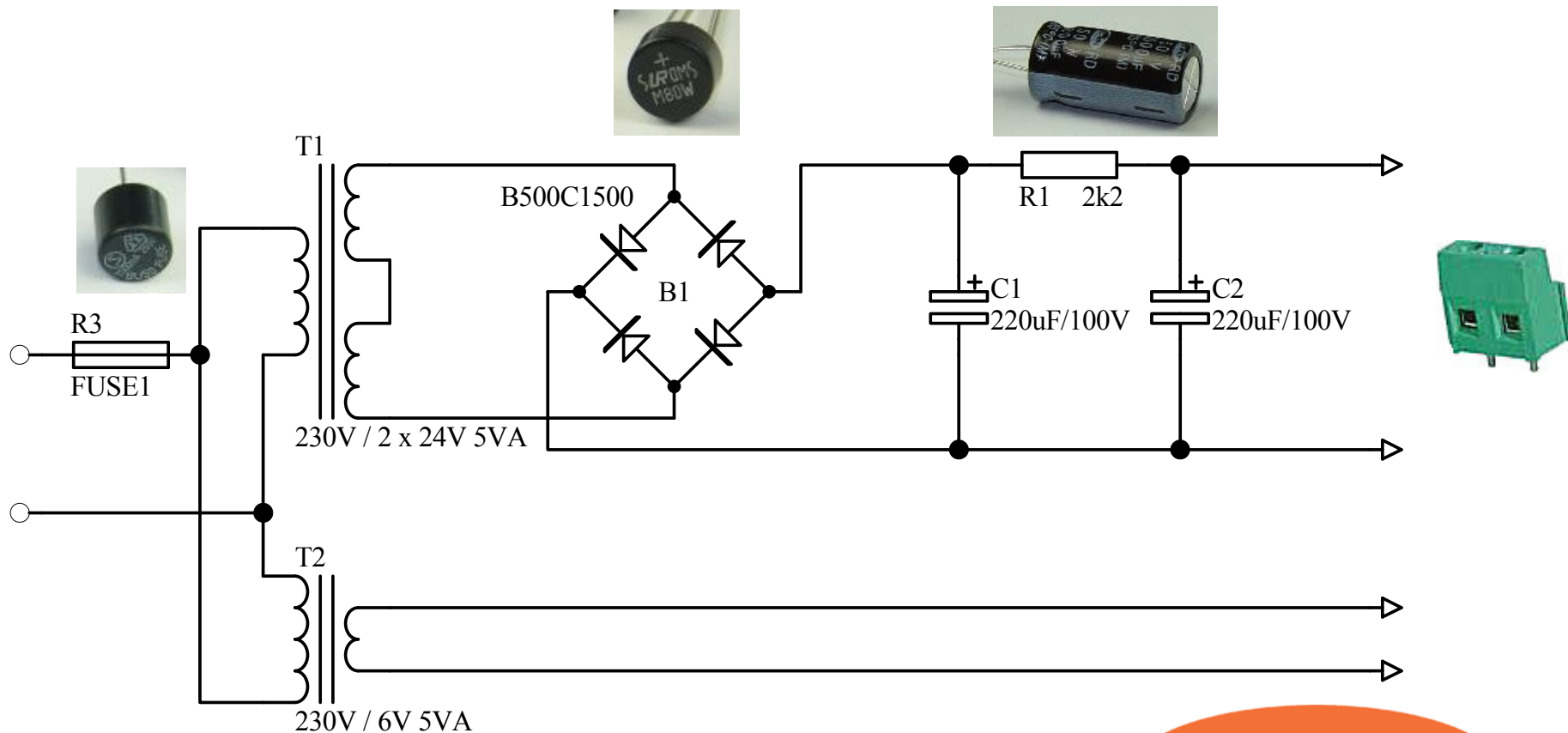


Title		
ECO oscilator + ogleni mikrofon za modulacijo		
Size	Number	Revision
A4		
Date:	18-Dec-2011	Sheet of
File:	F:\ADVSCH\AM OSCIL\AM OSC1.SCH	Drawn By: <i>B. Zupan</i>



Ves material
je kupljen v:



Title		
Usmernik za napajanje gretja in anod		
Size	Number	Revision
A4		
Date:	18-Dec-2011	Sheet of
File:	F:\ADVSCH\AM_OSCIL\USMERNIK.SCH	Drawn By: B. Zupan