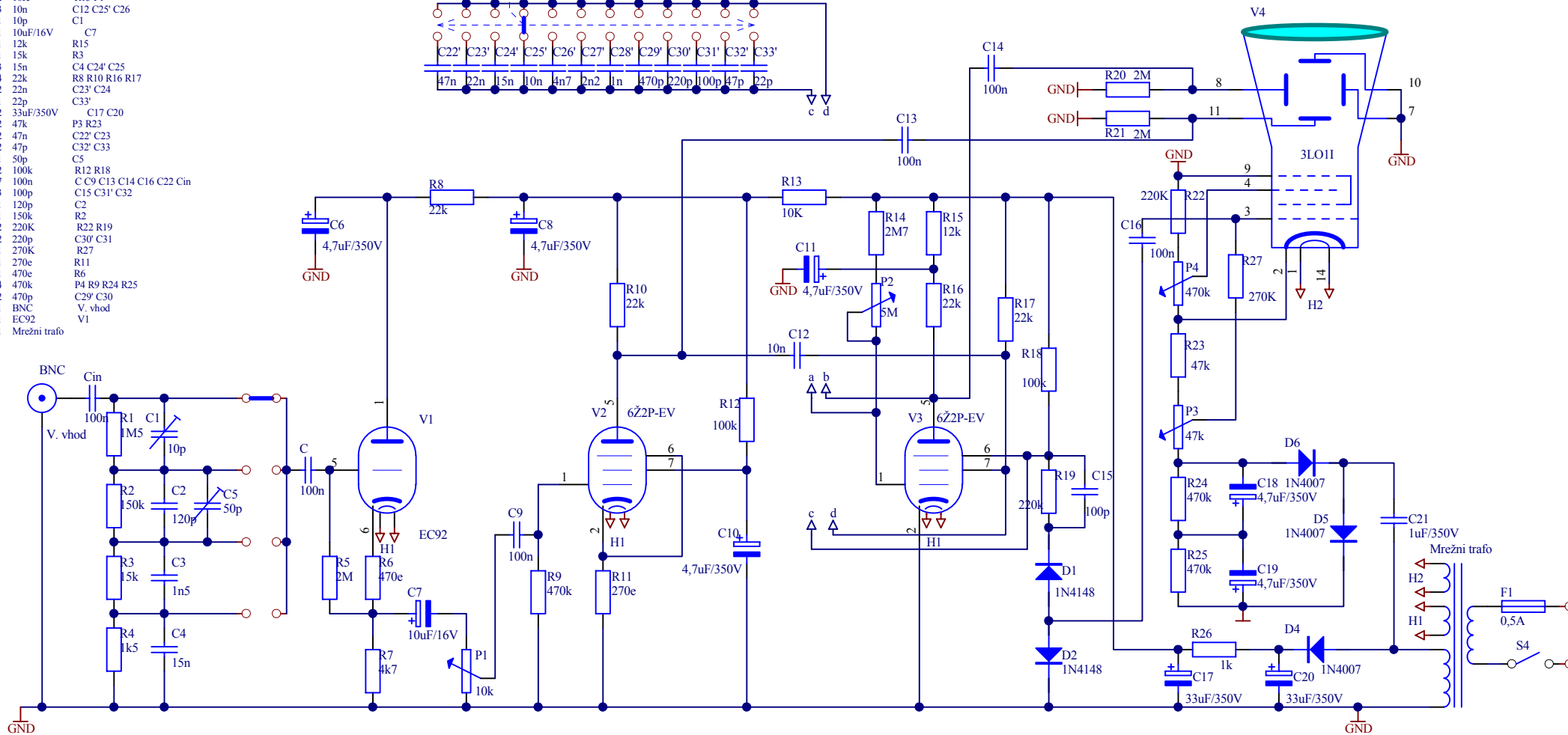
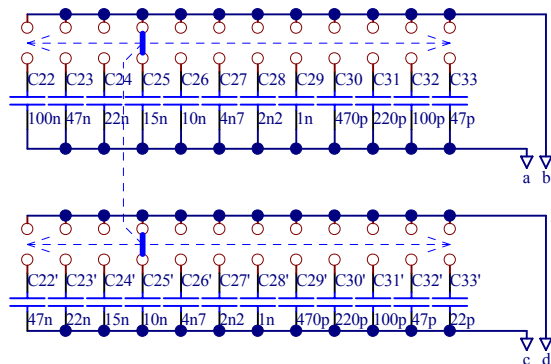


- 1 1 S4
- 2 1 0.5A F1
- 3 1 1M5 R1
- 4 3 1N4007 D4 D5 D6
- 5 2 1N4148 D1 D2
- 6 1 1k R26
- 7 1 1k5 R4
- 8 2 1n C28' C29
- 9 1 1n5 C3
- 10 1 1uF/350V C21
- 11 3 2M R5 R20 R21
- 12 1 2M7 R14
- 13 2 2n2 C27' C28
- 14 1 3LO11 V4
- 15 6 4,7uF/350V C6 C8 C10 C11 C18 C19
- 16 1 4k7 R7
- 17 2 4n7 C26' C27
- 18 1 5M P2
- 19 2 6Z2P-EV V2 V3
- 20 2 10K R13 P1
- 21 3 10n C12 C25' C26
- 22 1 10p C1
- 23 1 10uF/16V C7
- 24 1 12k R15
- 25 1 15k R3
- 26 3 15n C4 C24' C25
- 27 4 22k R8 R10 R16 R17
- 28 2 22n C23' C24
- 29 1 22p C33'
- 30 2 33uF/350V C17 C20
- 31 2 47k P3 R23
- 32 2 47n C22' C23
- 33 2 47p C32' C33
- 34 1 50p C5
- 35 2 100k R12 R18
- 36 7 100n C9 C13 C14 C16 C22 C23
- 37 3 100p C15 C31' C32
- 38 1 120p C2
- 39 1 150k R2
- 40 2 220K R22 R19
- 41 2 220p C30' C31
- 42 1 270K R27
- 43 1 270e R11
- 44 1 470e R6
- 45 4 470k P4 R9 R24 R25
- 46 2 470p C29' C30
- 47 1 BNC V. vohod
- 48 1 EC92 V1
- 49 1 Mrežni trafo



Title			TubeScope III		
Size	Number	Revision			
A4					
Date:	30-Jun-2008	Sheet of			
File:	F:\ADVSCH\LA SCOPE\3LO11.SCH	Drawn By:		R. Zupar	